



C.F.P.[®] Hip Prosthesis System



■ Re-launch – C.F.P.[®] XS Stems

We are pleased to inform you of the re-launch of the C.F.P.[®] XS hip prosthesis. From now on, all sizes of the C.F.P.[®] hip prosthesis will be available – from extra-small (XS) to extra-large (XL). The C.F.P.[®] XS alone offers 16 different options, which facilitates an individual treatment.

Additional facts

- Hip prosthesis stems, cementless, taper 12/14 mm
- New version 13 mm shorter than the old stem
- New dimension of the prosthesis has paved the way for modified bone compressors and sizing olives for size XS
- New X-ray templates are available in analogue and digital versions

General information

- Prosthesis stem takes account of anatomical stem shape and anteversion
- Different stem curvatures enable secure support of the stem at the medial cortex
- Maximum utilization of the coating area



Material: **Ti/Co[®]** with HX[®] Coating (calcium phosphate)

HX[®] coated

Curvature A (slight)				Curvature B (strong)	
CCD angle 117°	CCD angle 126°	HX [®] coated		CCD angle 117°	CCD angle 126°
Item no.	Item no.	Size	Version	Item no.	Item no.
290-118/17	290-118/26	x-small	right	290-170/17	290-170/26
290-119/17	290-119/26	x-small	left	290-171/17	290-171/26

Material: **Ti/Co[®]**

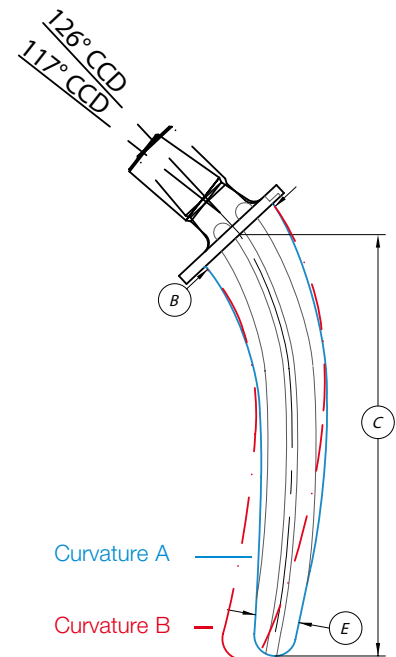
microporous ≈ 70 μm roughness

Curvature A (slight)				Curvature B (strong)	
CCD angle 117°	CCD angle 126°	microporous with 70 μm roughness		CCD angle 117°	CCD angle 126°
Item no.	Item no.	Size	Version	Item no.	Item no.
290-094/17	290-094/26	x-small	right	290-150/17	290-150/26
290-095/17	290-095/26	x-small	left	290-151/17	290-151/26

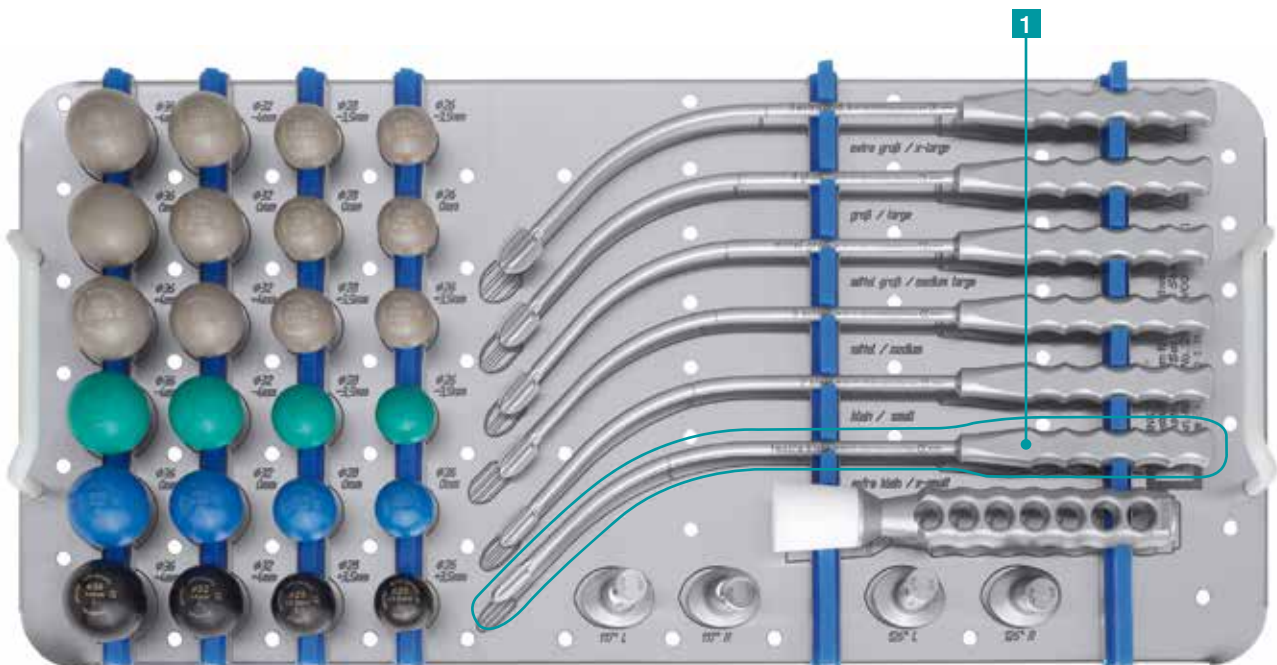
■ C.F.P.[®] Hip Prosthesis

■ New size specifications – C.F.P.[®] XS Stems

Size x-small – Curvature A or B		
Version/ Dimensions	NEW	old
B mm	19,5	20
C mm	82	95
E mm	11	9



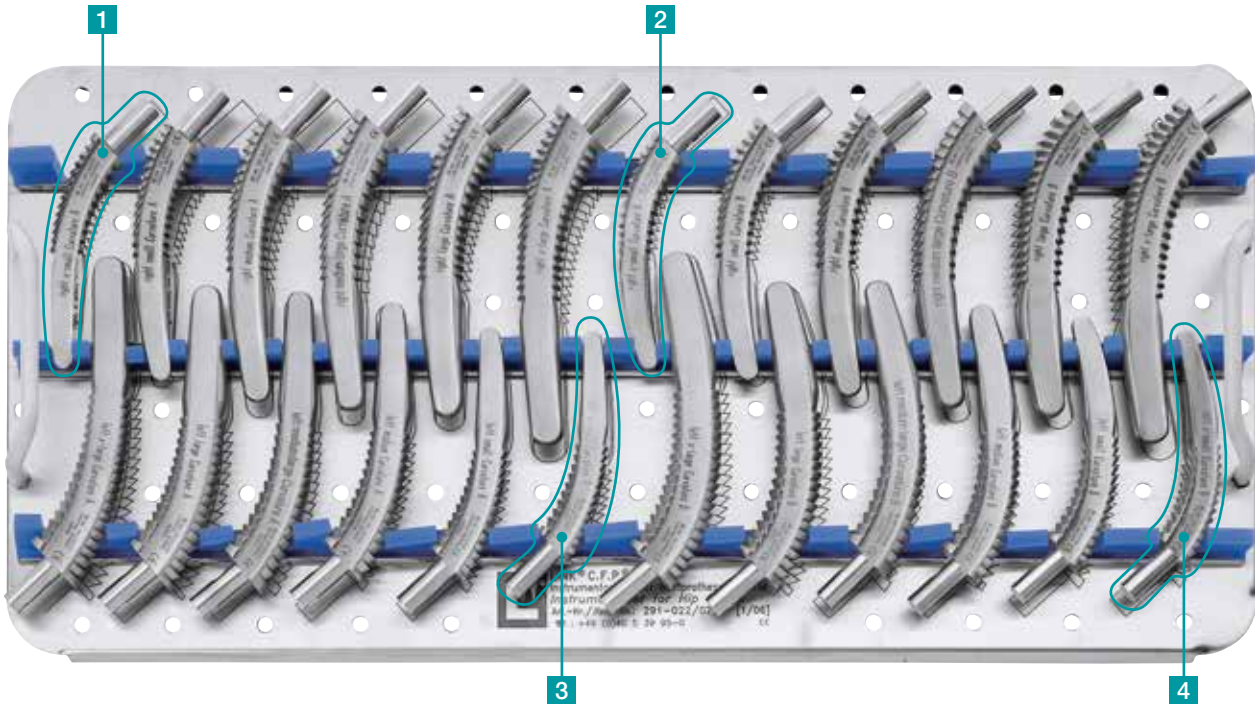
■ New Sizing Olives – Lower Tray, 291-023/06



New to this ray: Curved probes with sizing olives, graduated, 300 mm

Item no.	Size	For prosthesis stem	Qty.
1 291-102/01	1	x-small (XS)	1

■ New Bone Compressors – Tray, 291-022/07



New to this ray: Bone compressors, curvature A		
Item no.	Size	Version
1 291-200/03	x-small	right
2 291-200/04	x-small	left
New to this ray: Bone compressors, curvature B		
Item no.	Size	Version
3 291-210/03	x-small	right
4 291-210/04	x-small	left

■ X-ray Templates

X-ray templates for C.F.P.® Prosthesis Stems, cementless (with neutral head-neck length), taper 12/14 mm, 110% actual size

Curvature A			
Item no.	Head Ø mm	CCD angle	Stem size
290-258/52	28, 32, 36, 40	117°	x-small, small, medium, large, x-large
290-258/32	28, 32, 36, 40	126°	x-small, small, medium, medium large, large, x-large
Curvature B			
Item no.	Head Ø mm	CCD angle	Stem size
290-259/52	28, 32, 36, 40	117°	x-small, small, medium, large, x-large
290-259/32	28, 32, 36, 40	126°	x-small, small, medium, medium large, large, x-large